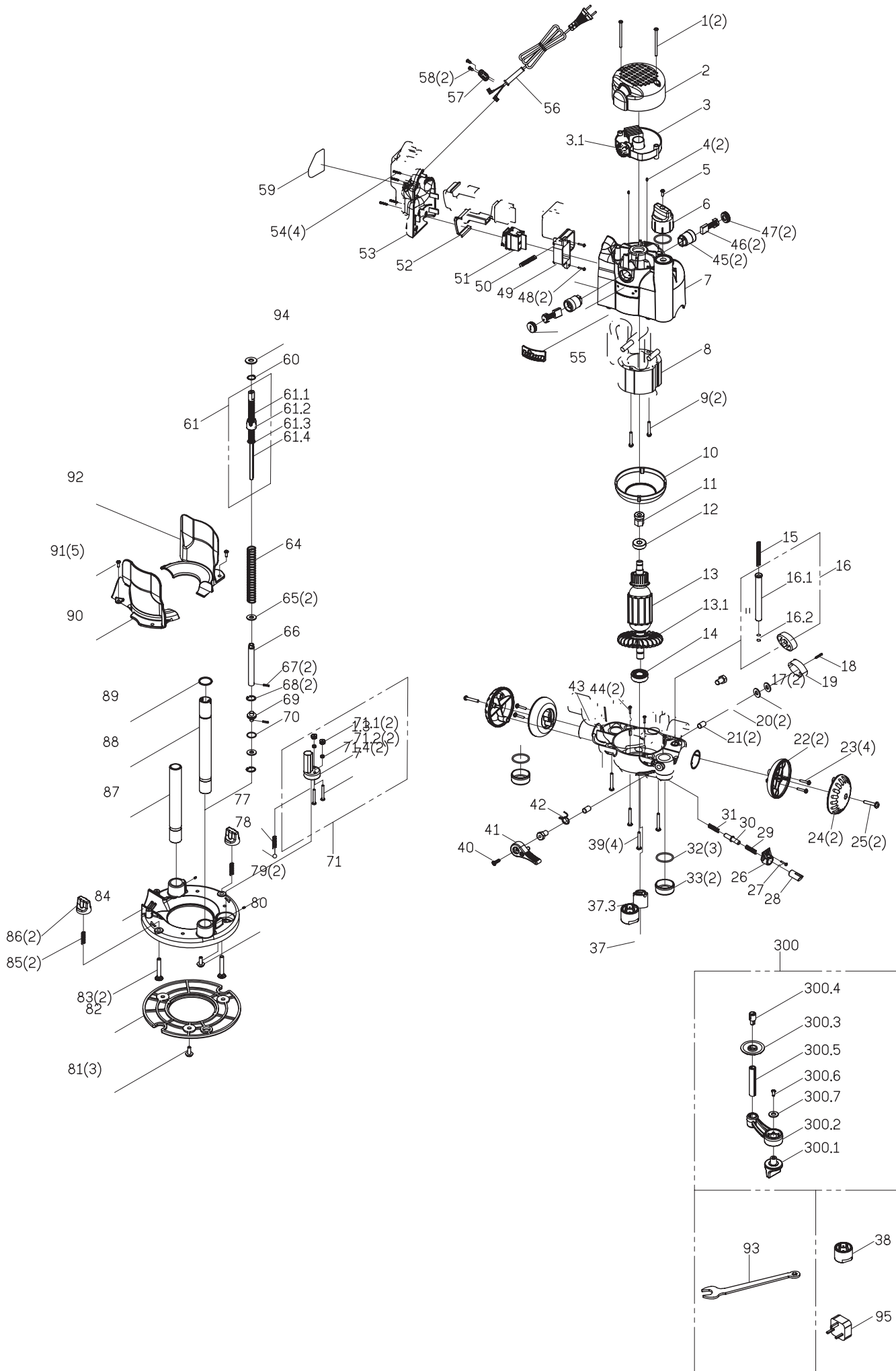


Compact Precision Plunge Router - JOF001



Compact Precision Plunge Router - JOF001

Diag. Ref.	Part No.	Description	Qty	Comments
1	JOF1001	SCREW MOTOR TOP COVER	2	
2	JOF1002	MOTOR TOP COVER	1	
3	JOF1003	SPEED CONTROLLER	1	
3.1	JOF1003.1	KNOB SPEED CONTROLLER	1	
4	JOF1004	SET SCREW	2	
5	JOF1005	PAN HD SCREW	1	
6	JOF1006	MICRO ADJUST KNOB	1	
7	JOF1007	UPPER MOTOR BODY	1	
8	JOF1008	FIELD	1	
9	JOF1009	PAN HD SELFTAP SCREW/WAS	2	
10	JOF10010	FAN SHROUD	1	
11	JOF10011	MAGNET RING MOUNT ASS'Y	1	
12	JOF10012	BALL BEARING	1	
13	JOF10013	ARMATURE ASS'Y	1	
14	JOF10014	BALL BEARING	1	
15	JOF10015	SPRING DEPTH STOP ROD	1	
16	JOF10016	TUBE, DEPTH STOP ASS'Y	1	
16.1	JOF10016.1	TUBE, DEPTH STOP	1	
16.2	JOF10016.2	DEPTH STOP ROD PLUG	1	
17	JOF10017	FLAT WASHER	2	
18	JOF10018	HEX SOC HD SCREW	1	
19	JOF10019	KNOB DEPTH STOP	1	
20	JOF10020	SPECIAL SCREW	2	
21	JOF10021	COPPER PAD	2	
22	JOF10022	FIXED HANDLE INNER	2	
23	JOF10023	PAN HD SCREW	4	
24	JOF10024	FIXED HANDLE OUTER RUBBERISED	2	
25	JOF10025	SCREW	2	
26	JOF10026	SHAFT LOCK BUTTON	1	
27	JOF10027	PAN HD SCREW	1	
28	JOF10028	NOSE SHAFT LOCK	1	
29	JOF10029	SPRING SHAFT LOCK BUTTON	1	
30	JOF10030	SHAFT LOCK PIN	1	
31	JOF10031	INNER SPRING, SHAFT LOCK	1	
32	JOF10032	POST DUST SEAL STRIP	3	
33	JOF10033	POST DUST SEAL CAP	2	
37	JOF10037	1/2" CHUCK ASS'Y	1	
37.3	JOF10037.3	COLLET SHAFT	1	
38	JOF10038	12mm COLLET ASSEMBLY	1	
39	JOF10039	SELFTAP PAN HD SCREW	4	
40	JOF10040	SCREW PLUNGE LOCK BOLT	1	
41	JOF10041	PLUNGE LOCK LEVER	1	
42	JOF10042	SPRING PLUNGE LOCK LEVER	1	

Compact Precision Plunge Router - JOF001

Diag. Ref.	Part No.	Description	Qty	Comments
43	JOF10043	LOWER MOTOR BODY	1	
44	JOF10044	CROSS RECESSED TRUSS HEAD	2	
45	JOF10045	BRUSH HOLDER	2	
46	JOF10046	BRUSH	2	
47	JOF10047	BRUSH HOLDER CAP	2	
48	JOF10048	SCREW CORD RESTRAINT	2	
49	JOF10049	HOUSING COVER SWITCH	1	
50	JOF10050	SPRING SWITCH COVER	1	
51	JOF10051	WATERPROOF SWITCH	1	
52	JOF10052	SWITCH SLIDE COVER	1	
53	JOF10053	SWITCH COVER	1	
54	JOF10054	SELF TAPPING SCREW	4	
55	JOF10055	NAME LABEL	1	
56	JOF10056	POWER CORD	1	
57	JOF10057	CORD CLAMP	1	
58	JOF10058	SELF TAPPING SCREW	2	
59	JOF10059	RATING LABEL	1	
60	JOF10060	RETAIN RING	1	
61	JOF10061	ELEVATION THREAD ROD	1	
61.1	JOF10061.1	ELEVATION THREAD ROD	1	
62.1	JOF10061.2	ROUND NUT'	2	
62.3	JOF10061.3	FLAT WASHER	1	
62.4	JOF10061.4	ELEVATION SHAFT	1	
64	JOF10064	MAIN SPRING	1	
65	JOF10065	FLAT WASHER	2	
66	JOF10066	GUIDE TUBE	1	
67	JOF10067	PIN	2	
68	JOF10068	INT'RETAINING RING	2	
69	JOF10069	DRIVE HEAD	1	
70	JOF10070	OTYPE RING	1	
71	JOF10071	TURRET ASS'Y	2	
77	JOF10077	SPRING FENCE ATTACHMENT KNOB	1	
78	JOF10078	TURRET DETENT BALL	1	
79	JOF10079	SET SCREW	2	
80	JOF10080	SELF TAPPING SCREW	1	
81	JOF10081	PAN HD SCREW	3	
82	JOF10082	BASE PLATE	1	
83	JOF10083	M6x40mm COACH BOLT	2	
84	JOF10084	BASE	1	
85	JOF10085	SPRING FENCE ATTACHMENT KNOB	2	
86	JOF10086	FENCE ATTACHMENT KONB	2	
87	JOF10087	SMOOTH POST	1	
88	JOF10088	RAKC POST	1	
89	JOF10089	SNAP RING RACK POST 20mm	1	

Compact Precision Plunge Router - JOF001

Diag. Ref.	Part No.	Description	Qty	Comments
90	JOF10090	FRONT CHIP SHIELD	1	
91	JOF10091	PAN HD SCREW	5	
92	JOF10092	REAR CHIP SHIELD	1	
93	JOF10093	WRENCH	1	
94	JOF10094	FLAT WASHER	1	
95	JOF10095	SCP Plug	1	
300	JOF100300	TABLE WINDER HANDLE	1	
300.1	JOF100300.1	MICRO HEIGHT ADJUSTER KNOB	1	
300.2	JOF100300.2	MICRO HEIGHT CRANK ARM	1	
300.3	JOF100300.3	MICRO HEIGHT DRIVE TUBE	1	
300.4	JOF100300.4	MICRO HEIGHT UNIVERSAL	1	
300.5	JOF100300.5	MICRO HEIGHT CONNECTION TUBE	1	
300.6	JOF100300.6	SELF TAPPING SCREW	1	
300.7	JOF100300.7	FLAT WASHER	1	
901	JOF100901	CARTON	1	
902	JOF100902	MANUAL	1	
905	JOF100905	PLASTIC BAG	1	
906	JOF100906	PLASTIC BAG	1	
907	JOF100907	POLYLON	1	
908	JOF100908	PE FILM	1	
910	JOF100910	LABEL	1	